

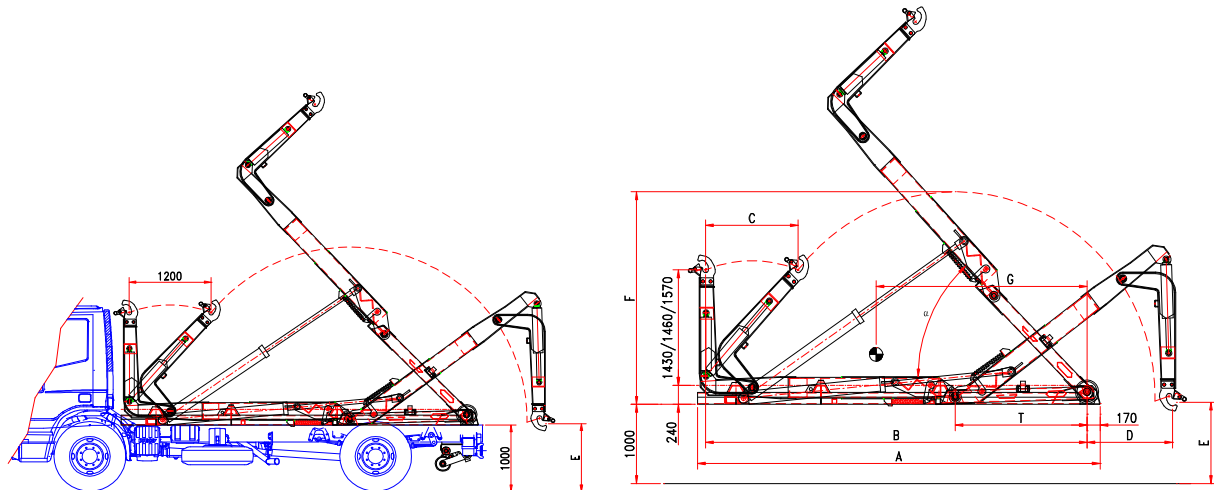


b.o.b. Sistemi Idraulici S.p.A.

italev

COMPANY
WITH QUALITY SYSTEM
CERTIFIED BY DNV
= ISO 9001/2000 =

HOOKLIFT « LIFT 18 »



MODEL	A	B	C	D	E	F	G	T	Weight Kit	Tipping angle	Container length min./max
LIFT 18 C	4.820	4.520	1.200	1.100	900	2.530	2.465	1.510	1.950	51°	4.000 - 5.500
LIFT 18 NC	5.020	4.720	1.200	900	900	2.530	2.600	1.710	1.980	47°	4.200 - 5.700
LIFT 18 N	5.220	4.920	1.200	1.100	1.020	2.680	2.735	1.710	2.000	47°	4.400 - 5.900
LIFT 18 NL	5.420	5.120	1.200	900	1.020	2.680	2.870	1.910	2.020	45°	4.600 - 6.100
LIFT 18 L	5.620	5.320	1.200	700	1.020	2.680	3.005	2.110	2.050	42°	4.800 - 6.300

Hook level mm 1.425/1.450/1.570 (DIN 14505)

Three flow control with electro hydraulic cab controls mounted on mobile hand board

Front or lateral oil tank

Interlock security system

Mechanical hook security

External hydraulic locking

Kit box

Optional:

Internal hydraulic locking

Additional 4° flow control and piping with cab control

Stab. Suspension cylinders

Foldable stabilizer medium type

Medium vertical stabilizer

The technical details shown in this sheet are indicative and can be changed by the builder without prior notice.

B.O.B. Sistemi Idraulici S.p.A. – Regione Oltre Rea, 61 – 12060 Monchiero (CN) - Italia

P. I.V.A. 00496180043 - Tel.: +39 (0173) 780002/3 – Fax: +39 (0173) 780004

Internet: www.bobspa.com - E-mail: info@bobitalev.com